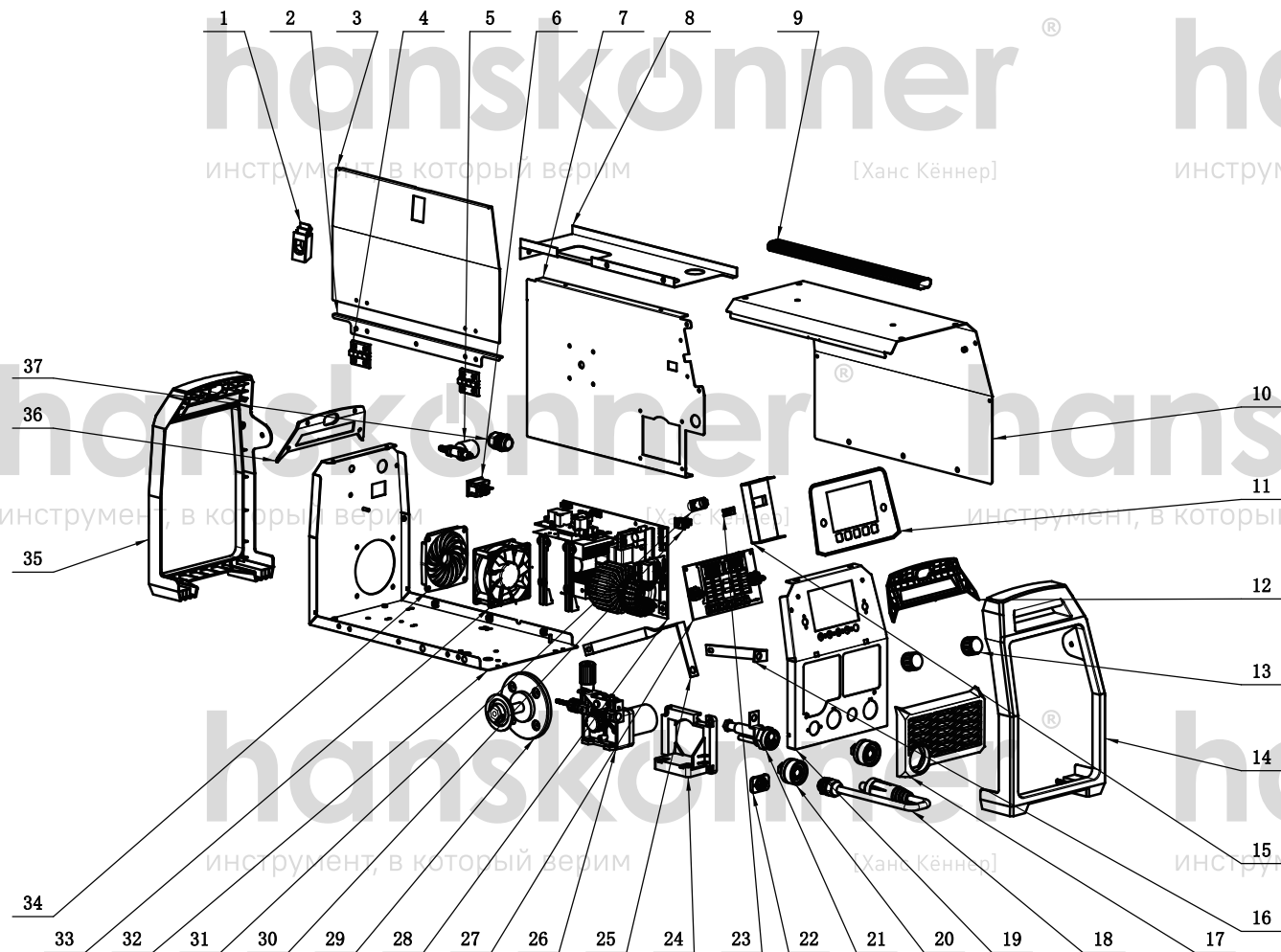
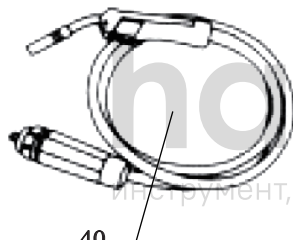
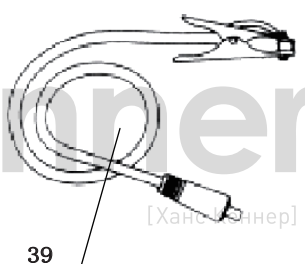
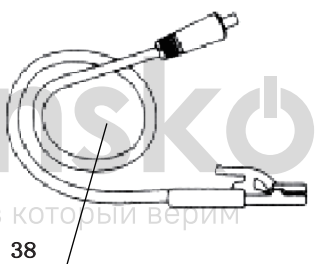


HWM2200MF



NO	DESCRIPTION
1	LATCH
2	DOOR PANEL DECORATIVE STRIP
3	DOOR PANEL
4	HINGE
5	SOLENOID VALVE
6	POWER SWITCH
7	VERTICAL MIDDLE PARTITION
8	TRANSVERSE MIDDLE PARTITION
9	HANDLE
10	RIGHT PANEL
11	PANEL DECAL
12	FRONT PLASTIC COVER
13	KNOB
14	FRONT PLASTIC COVER
15	PANEL PROTECTIVE COVER
16	ALUMINUM CONNECTIONS 1
17	FAN HOOD
18	QUICK CONNECTOR
19	FRONT PANEL
20	QUICK SOCKET
21	TORCH COPPER CONNETOR KIT
22	AVIATION SOCKET
23	LIGHT BOARD
24	WIRE FEEDER BRACKET
25	ALUMINUM CONNECTIONS 2
26	WIRE FEEDER
27	SIMULATION PCB
28	INVERTER MODULE
29	REEL
30	ROCKER SWITCH
31	LAMPSHADE
32	BASEBOARD
33	FAN
34	FAN GUARDS
35	BACK PLASTIC COVER
36	BACK PLASTIC COVER
37	CABLE FIXTURES
38	ELECTRODE HOLDER
39	EARTH CLAMP
40	3M MIG TORCH



HWM2200MF FRONT-BOARD

